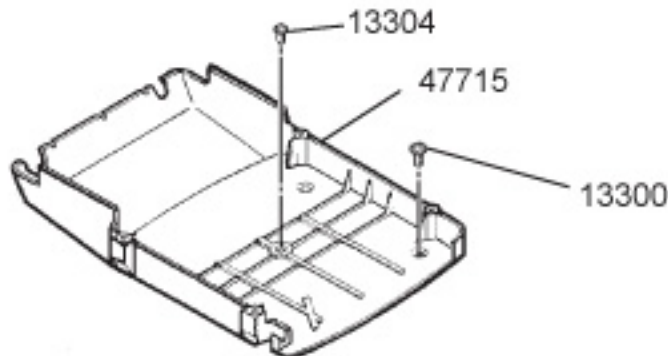
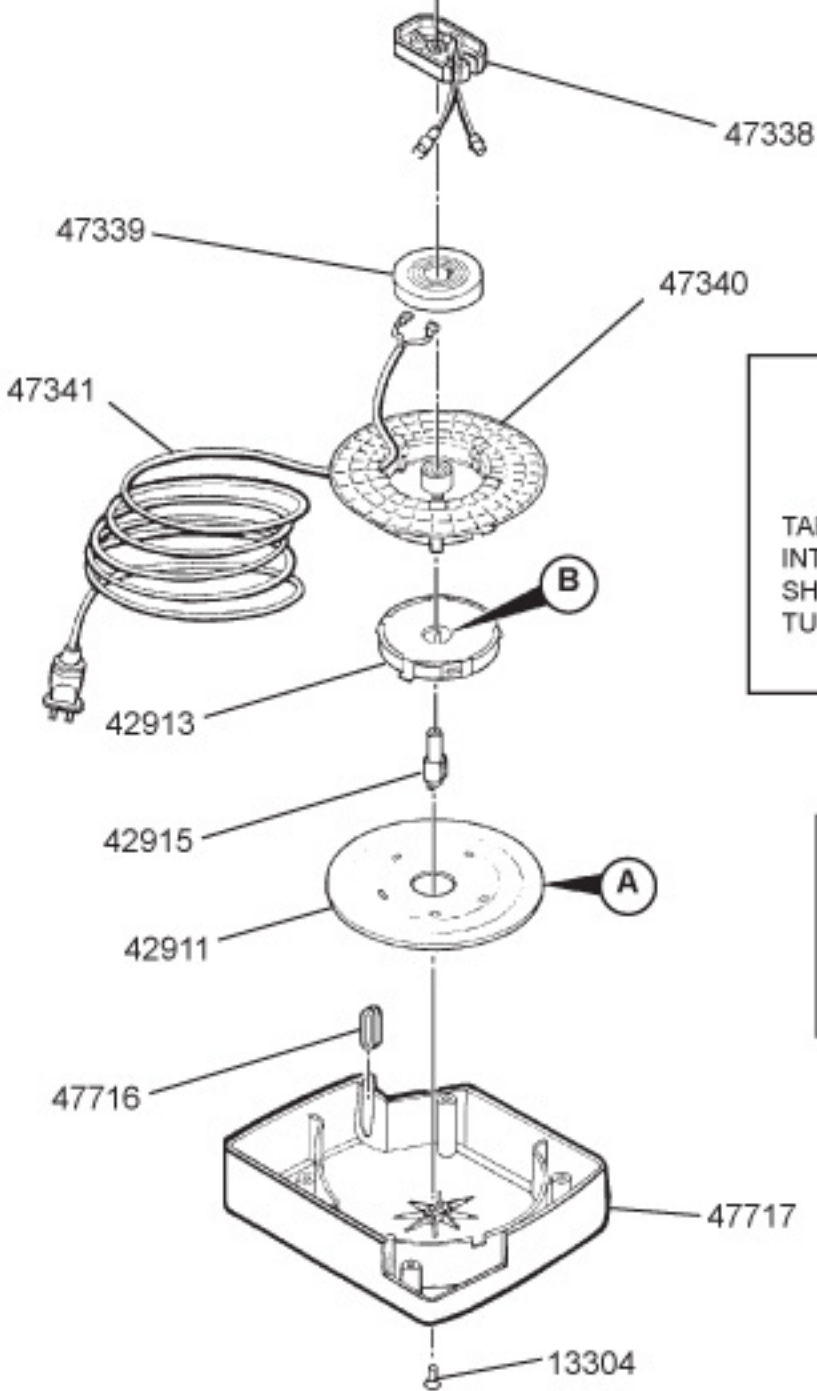


~ **CORDWINDER ASSEMBLY** ~



SEE PAGES 3 & 4  
FOR REPAIR INSTRUCTIONS.



TAB ON SPRING FITS INTO GROOVE IN CORDWINDER SHAFT. PRE-WIND SPRING THREE TURNS WHEN RE-ASSEMBLING.

CORD SIDE