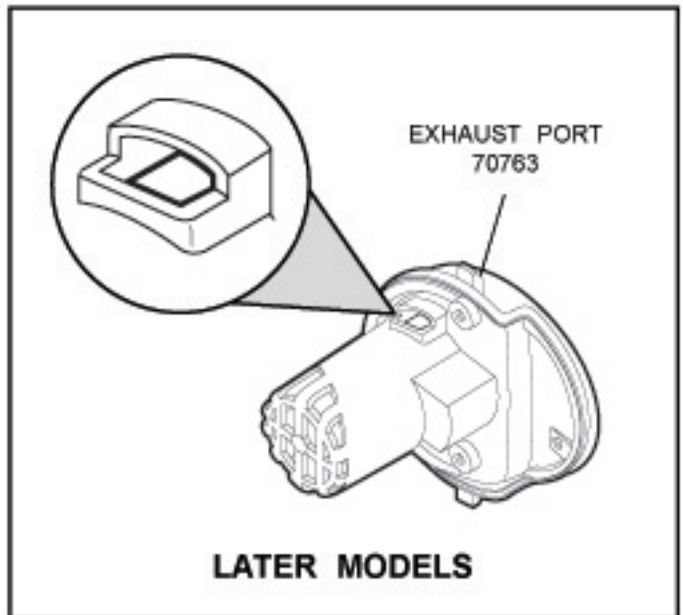
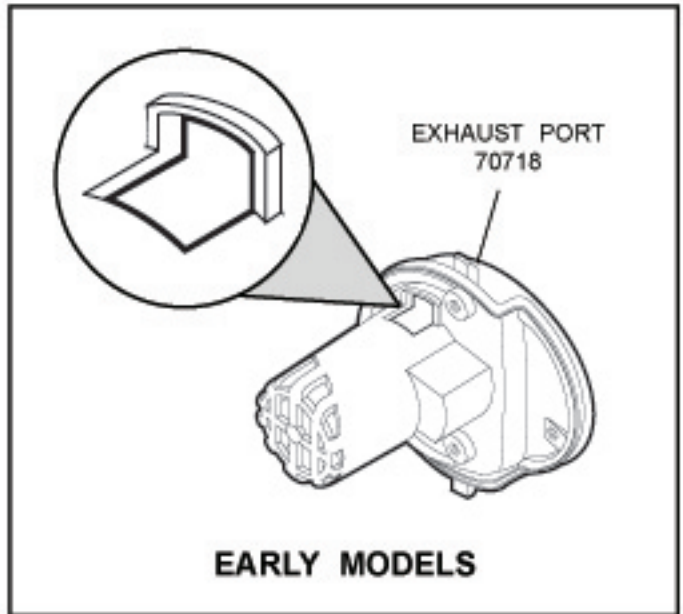


EXL CANISTER

IF EXHAUST PORT NEEDS REPLACING IT WILL BE NECESSARY TO IDENTIFY WHICH EXHAUST PORT IS INSTALLED IN CLEANER.

SCREW 70239 (3) IS FOR EXHAUST PORT 70718.
SCREW 70238 (3) IS FOR EXHAUST PORT 70763.



NOTE:

REPLACEMENT UPPER HOUSING 70224 WILL INCLUDE EXHAUST PORT 70763.